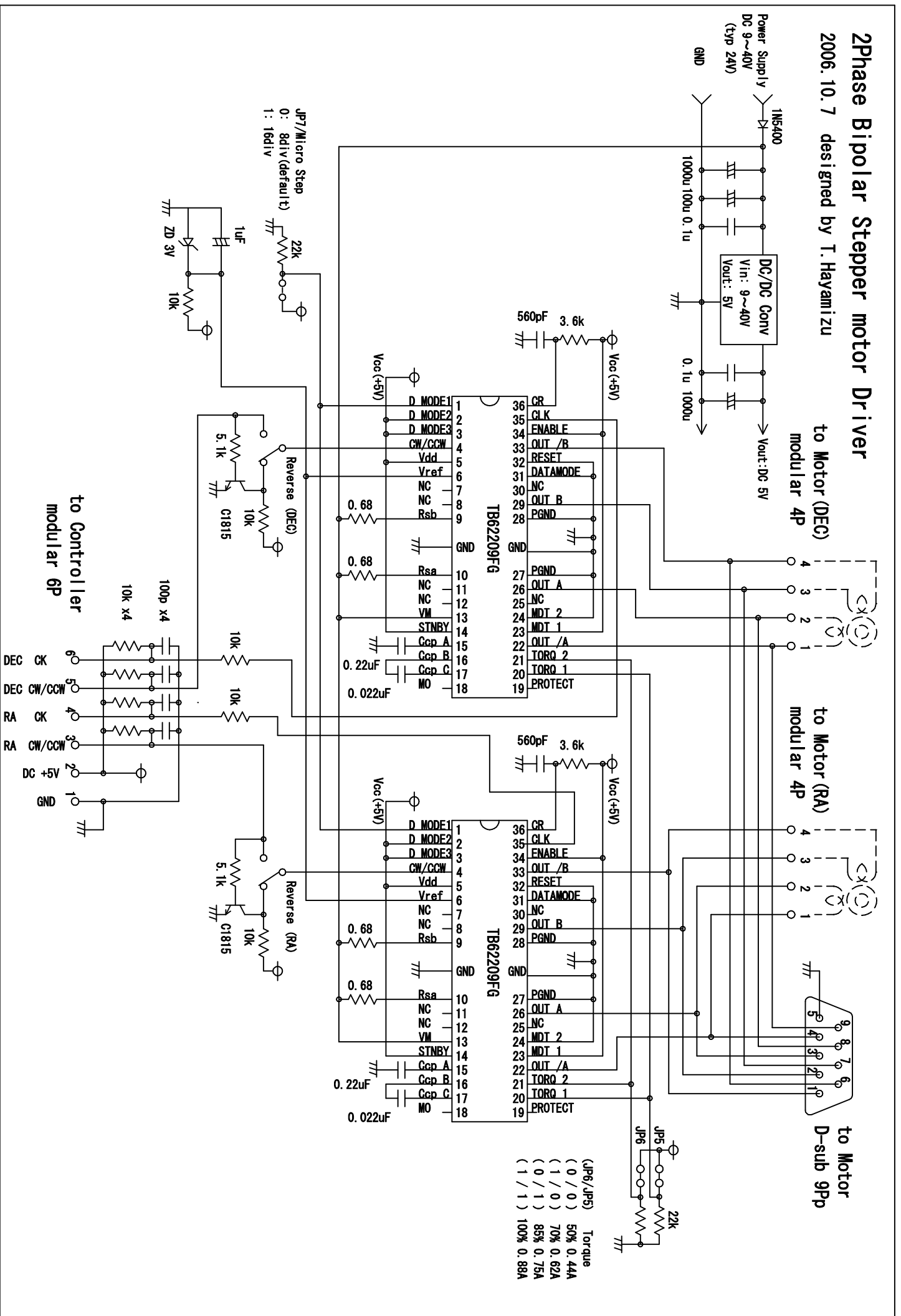


# 2Phase Bipolar Stepper motor Driver

2006. 10. 7 designed by T. Hayamizu



to Motor (DEC)  
modular 4P

to Motor (RA)  
modular 4P

to Motor  
D-sub 9Pp

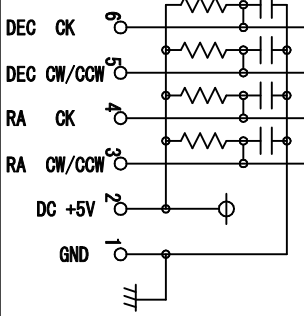
(JP6/JP5)	Torque
( 0 / 0 )	50% 0.44A
( 1 / 0 )	70% 0.62A
( 0 / 1 )	85% 0.75A
( 1 / 1 )	100% 0.88A

JP7/Micro Step  
0: 8d1v(default)  
1: 16d1v

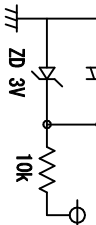
Reverse (RA)  
5.1k  
C1815

Reverse (DEC)  
5.1k  
C1815

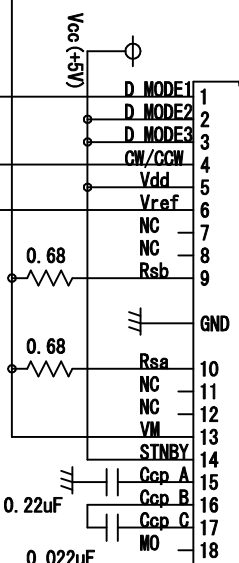
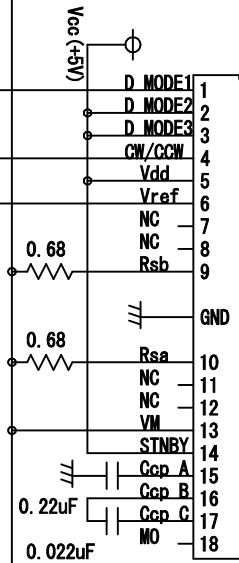
to Controller  
modular 6P



100p x4  
10k x4

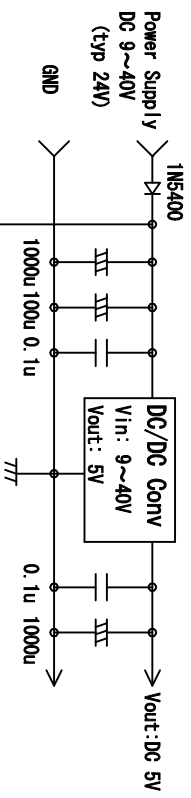


1uF  
ZD 3V  
10k



560pF 3.6k  
Vcc (+5V)

560pF 3.6k  
Vcc (+5V)



Power Supply  
DC 9~40V  
(typ 24V)  
GND  
1N5400  
1000uF 100uF 0.1u  
DC/DC Conv  
Vin: 9~40V  
Vout: 5V  
0.1u 1000u  
Vout: DC 5V