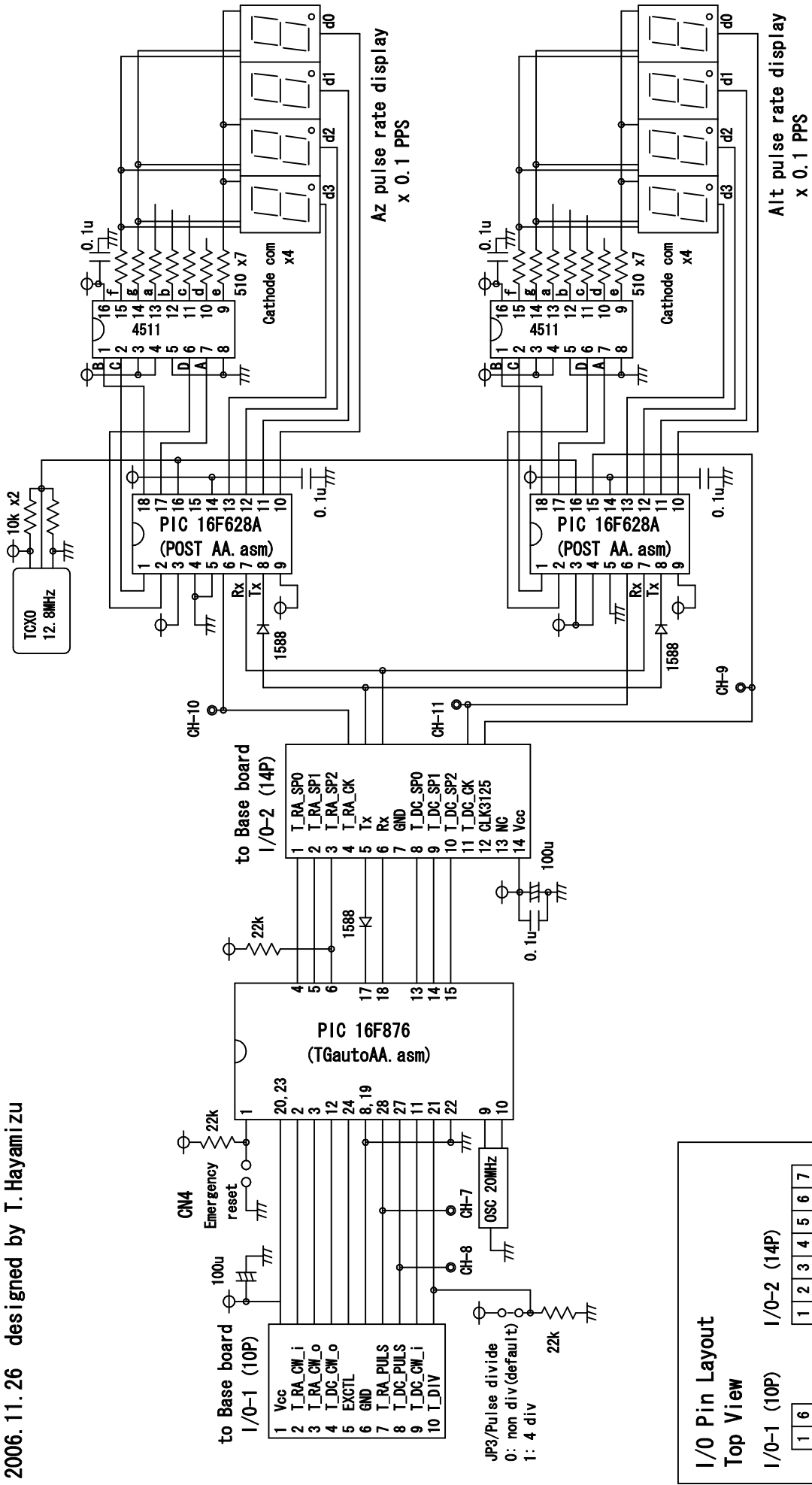


# A-ZEUS (Ver. 1) Controller Micon board Circuit

2006.11.26 designed by T. Hayamizu



**I/O Pin Layout  
Top View**

I/O-1 (10P)

1	6
2	7
3	8
4	9
5	10

I/O-2 (14P)

1	2	3	4	5	6	7
8	9	10	11	12	13	14