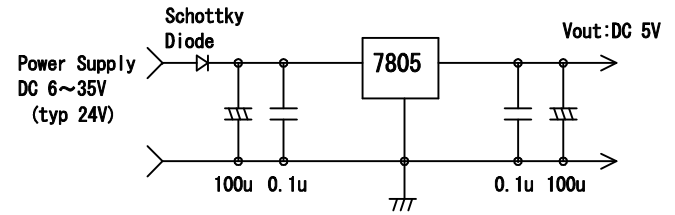
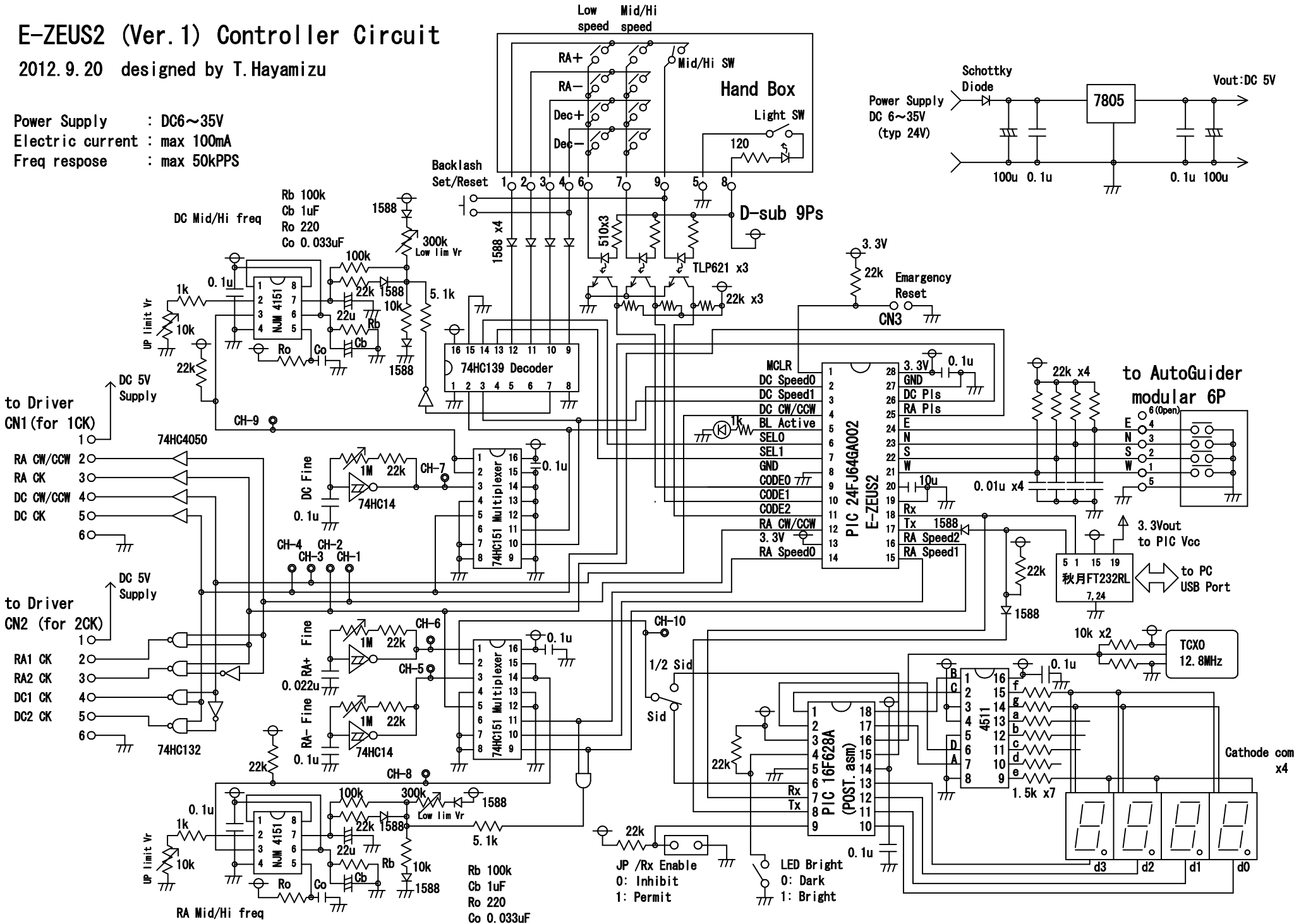


E-ZEUS2 (Ver.1) Controller Circuit

2012. 9. 20 designed by T. Hayamizu

Power Supply : DC6~35V
 Electric current : max 100mA
 Freq respose : max 50kPPS



to Driver
 CN1 (for 1CK)
 1 DC 5V Supply
 2 RA CW/CCW
 3 RA CK
 4 DC CW/CCW
 5 DC CK
 6 GND

to Driver
 CN2 (for 2CK)
 1 RA1 CK
 2 RA2 CK
 3 DC1 CK
 4 DC2 CK
 5 GND
 6 GND

to AutoGuider
 modular 6P
 1 W
 2 S
 3 N
 4 E
 5 GND
 6 (Open)

to PC
 USB Port

Cathode com
 x4
 d3 d2 d1 d0

JP /Rx Enable
 0: Inhibit
 1: Permit

LED Bright
 0: Dark
 1: Bright

DC Mid/Hi freq
 Rb 100k
 Cb 1uF
 Ro 220
 Co 0.033uF

RA Mid/Hi freq
 Rb 100k
 Cb 1uF
 Ro 220
 Co 0.033uF

Backlash
 Set/Reset

D-sub 9Ps

PIC 24FJ64GA002
 E-ZEUS2
 MCLR
 DC Speed0
 DC Speed1
 DC CW/CCW
 BL Active
 SEL0
 SEL1
 GND
 CODE0
 CODE1
 CODE2
 RA CW/CCW
 3.3V
 RA Speed2
 RA Speed1

RA- Fine
 RA+ Fine

Rb 100k
 Cb 1uF
 Ro 220
 Co 0.033uF